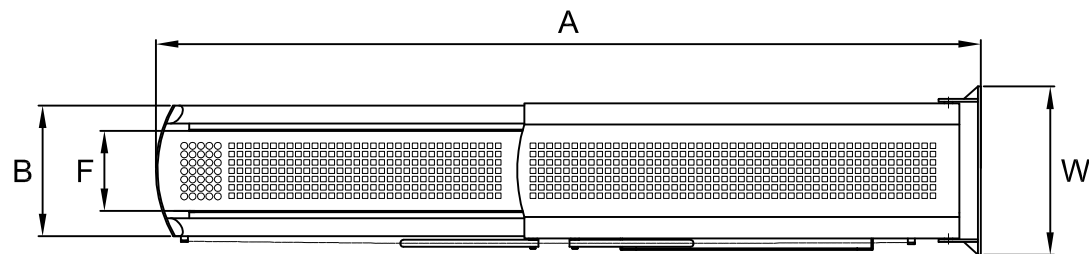
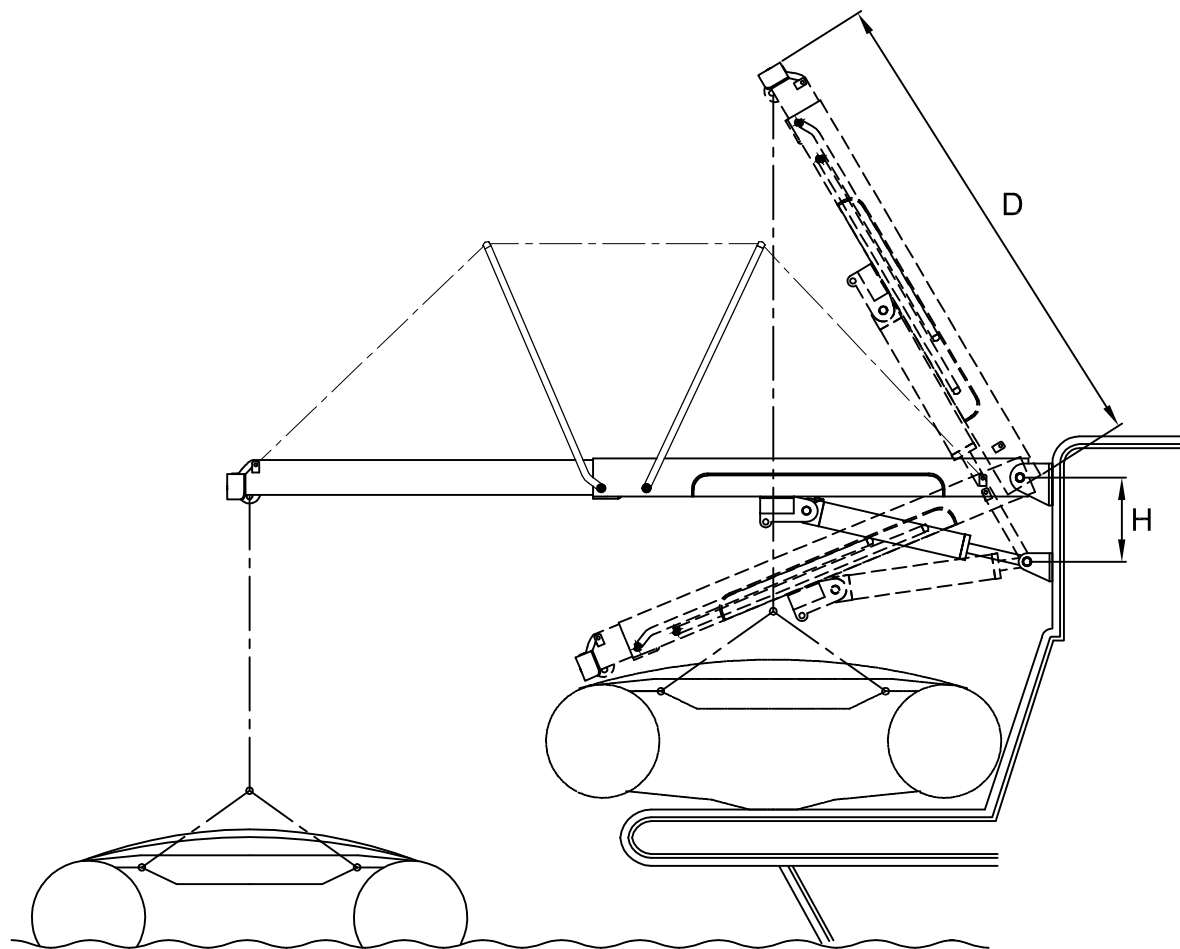


Lifting capacity (Kg)	450	450
A (mm)	2540	2940
B (mm)	480	480
D (mm)	1540	1740
F (mm)	285	290
H (mm)	350	350
W (mm)	600	600
Weight (Kg)	180	190



Product

PI 482 BIG SPRINT

Hydraulic External Passerelle