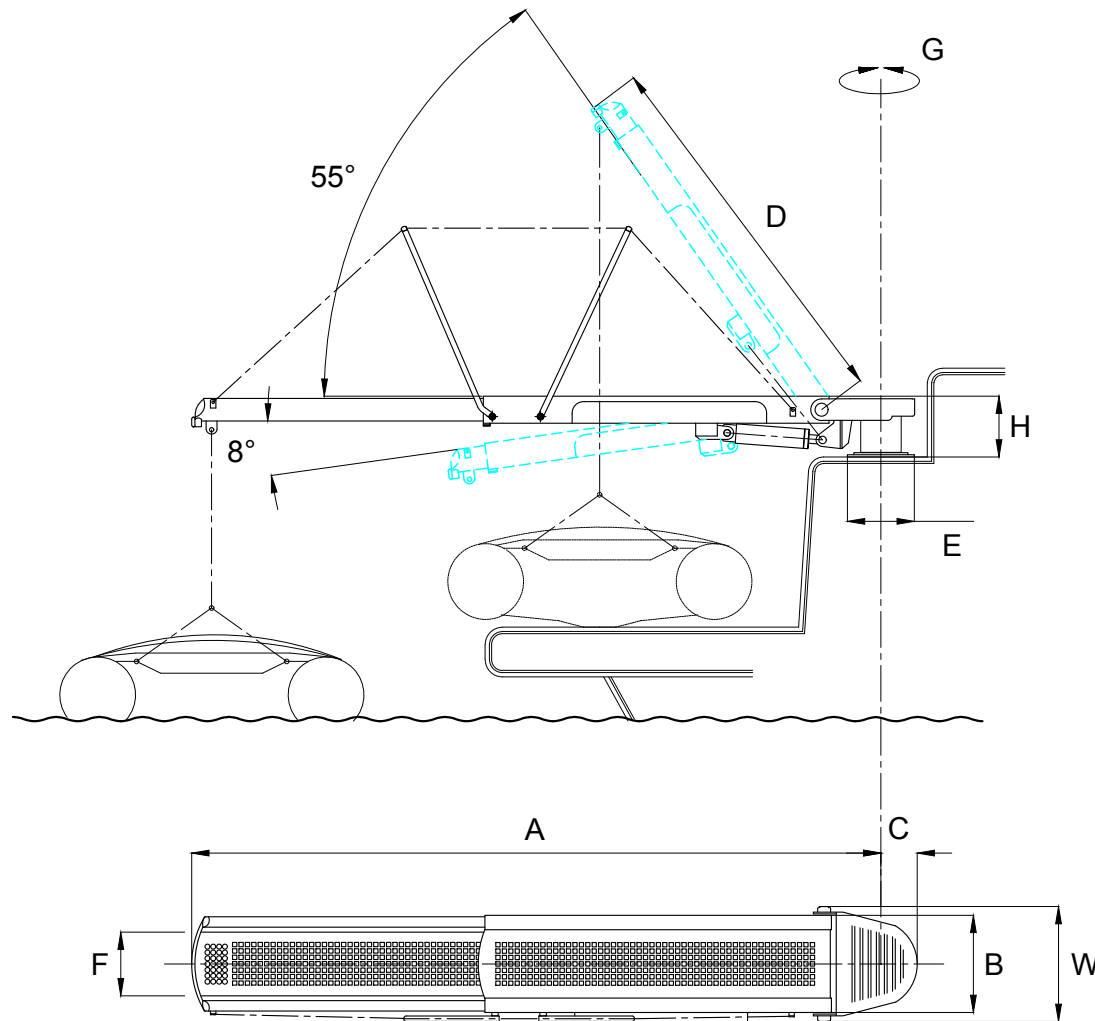
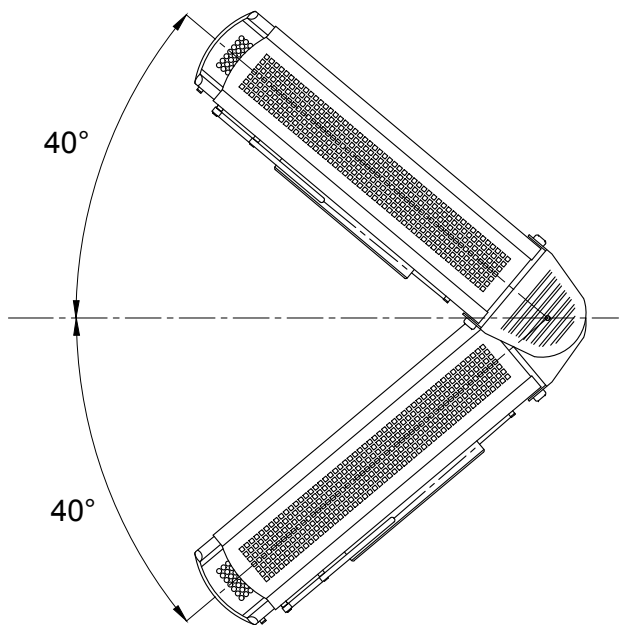


<b>Lifting capacity (Kg)</b>	200	200
A (mm)	2790	3190
B (mm)	450	450
C (mm)	170	170
D (mm)	1550	1750
E (mm)	310	310
F (mm)	295	295
G (°)	40-40	40-40
H (mm)	280	280
W (mm)	532	532
Weight (Kg)	200	210



Product

**PI 489 TURNING ERA**

**External Rotating Hydraulic Passerelle**